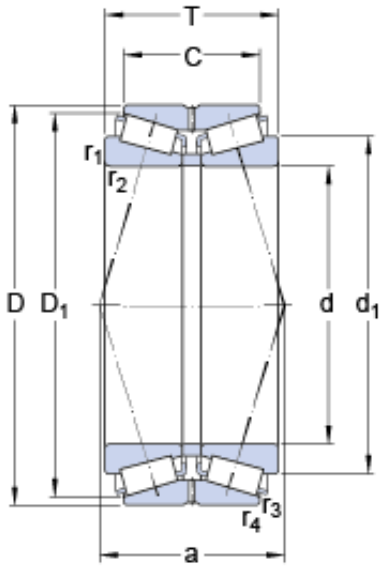




BEARING CORP.OF AMERICA

skf BT2B 332802 A Double row tapered roller bearings, TDO design

Bearing No. BT2B 332802 A



BT2B 332802 A Bearing 2D drawings and 3D CAD models

Design variant/feature	TDO/D
d	342.9 mm
D	533.4 mm
T	174.625 mm
C	123.825 mm
d ₁	422 mm
D ₁	496 mm
r _{1,2} min.	4.8 mm
r _{3,4} min.	1.5 mm
a	180 mm
Basic dynamic load rating C	2540 kN
Basic static load rating C ₀	4400 kN
Fatigue load limit P _u	365 kN
Calculation factor e	0.33
Calculation factor Y ₁	2
Calculation factor Y ₂	3
Calculation factor Y ₀	2
Comparative radial load rating C _F	620 kN
Comparative axial load rating C _{Fa}	202 kN
Thrust factor K	1.76
Mass bearing	130 kg