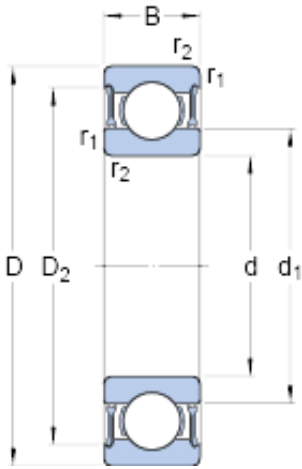




# BEARING CORP. OF AMERICA



17 mm x 40 mm x 12 mm skf W 6203-2RZ Deep groove ball bearings

Bearing No. W 6203-2RZ

W 6203-2RZ Bearing 2D drawings and 3D CAD models

Size	40x17x12 mm
Bore Diameter	40 mm
Outer Diameter	17 mm
Width	12 mm
d	17 mm
D	40 mm
B	12 mm
d <sub>1</sub>	24.9 mm
D <sub>2</sub>	35.8 mm
r <sub>1,2</sub> - min.	0.6 mm
D <sub>a</sub> - max.	36 mm
r <sub>a</sub> - max.	0.6 mm
Basic dynamic load rating - C	8.1 kN
Basic static load rating - C <sub>0</sub>	4.8 kN
Fatigue load limit - P <sub>u</sub>	0.2 kN
Reference speed	40000 r/min
Limiting speed	20000 r/min
Calculation factor - k <sub>r</sub>	0.03
Calculation factor - f <sub>0</sub>	13.1
d <sub>1</sub>	24.9 mm
D <sub>2</sub>	35.8 mm
r <sub>1,2</sub> min.	0.6 mm
d <sub>a</sub> min.	21 mm
d <sub>a</sub> max.	24.5 mm



## BEARING CORP.OF AMERICA

$D_a$ max.	36 mm
$r_a$ max.	0.6 mm
Basic dynamic load rating C	8.06 kN
Basic static load rating $C_0$	4.75 kN
Fatigue load limit $P_u$	0.2 kN
Calculation factor $k_r$	0.03
Calculation factor $f_0$	13.1
Mass bearing	0.064 kg