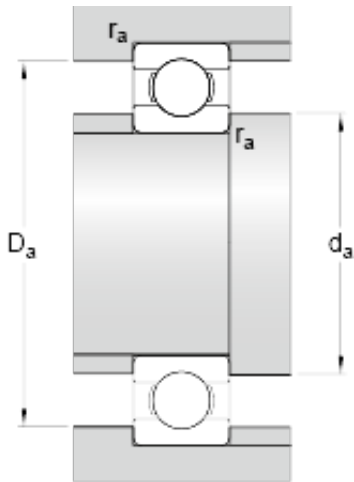




# BEARING CORP.OF AMERICA



4 mm x 8 mm x 2 mm skf W 617/4 X Deep groove ball bearings

Bearing No. W 617/4 X

d	4 mm
D	8 mm
B	2 mm
d <sub>1</sub>	5 mm
D <sub>1</sub>	6.8 mm
r <sub>1,2</sub> min.	0.15 mm
d <sub>a</sub> min.	4.9 mm
D <sub>a</sub> max.	6.9 mm
r <sub>a</sub> max.	0.15 mm
Basic dynamic load rating C	0.225 kN
Basic static load rating C <sub>0</sub>	0.072 kN
Fatigue load limit P <sub>u</sub>	0.003 kN
Reference speed	150000 r/min
Limiting speed	90000 r/min
Calculation factor k <sub>r</sub>	0.015
Calculation factor f <sub>0</sub>	7.2
Mass bearing	0.0004 kg

W 617/4 X Bearing 2D drawings and 3D CAD models