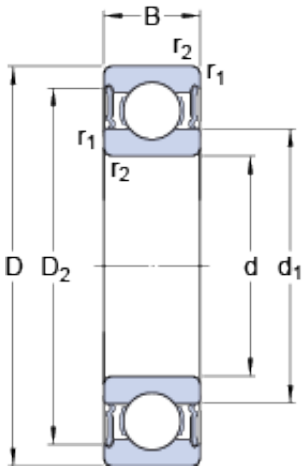




BEARING CORP.OF AMERICA



35 mm x 80 mm x 31 mm skf 62307-2RS1 Deep groove ball bearings

Bearing No. 62307-2RS1

62307-2RS1 Bearing 2D drawings and 3D CAD models

Size	80x35x31 mm
Bore Diameter	80 mm
Outer Diameter	35 mm
Width	31 mm
d	35 mm
D	80 mm
B	31 mm
d ₁	49.56 mm
D ₂	69.2 mm
r _{1,2} - min.	1.5 mm
d _a - min.	44 mm
d _a - max.	49.5 mm
D _a - max.	71 mm
r _a - max.	1.5 mm
Basic dynamic load rating - C	33.2 kN
Basic static load rating - C ₀	19 kN
Fatigue load limit - P _u	0.815 kN
Limiting speed	6000 r/min
Calculation factor - k _r	0.03
Calculation factor - f ₀	13.1
Category	Single Row Ball Bearings
Inventory	0.0
Manufacturer Name	SKF
Minimum Buy Quantity	N/A



BEARING CORP.OF AMERICA

Weight / Kilogram	0.69
EAN	7316577080608
Product Group	B00308
Enclosure	2 Seals
Precision Class	ABEC 1 ISO P0
Maximum Capacity / Filling Slot	No
Rolling Element	Ball Bearing
Snap Ring	No
Internal Special Features	No
Cage Material	Steel
Enclosure Type	Contact Seal
Internal Clearance	C0-Medium
Inch - Metric	Metric
Long Description	35MM Bore; 80MM Outside Diameter; 31MM Outer Race Diameter; 2 Seals; Ball Bearing; ABEC 1 ISO P0; No Filling Slot; No Snap Ring; No Internal Special Features
Other Features	Cartridge Bearing
Category	Single Row Ball Bearing
UNSPSC	31171504
Harmonized Tariff Code	8482.10.50.68
Noun	Bearing
Keyword String	Ball
Manufacturer URL	http://www.skf.com
Manufacturer Item Number	62307-2RS1
Weight / LBS	1.519
Outside Diameter	3.15 Inch 80 Millimeter
Outer Race Width	1.22 Inch 31 Millimeter
Bore	1.378 Inch 35 Millimeter
bore diameter:	35 mm



BEARING CORP.OF AMERICA

static load capacity:	19 kN
outside diameter:	80 mm
precision rating:	ABEC 3 (ISO Class 6)
overall width:	31 mm
finish/coating:	Uncoated
bore type:	Round
cage material:	Steel
closure type:	Double Sealed
outer ring width:	31 mm
row type & fill slot:	Single Row Non-Fill Slot
fillet radius:	1.5 mm
internal clearance:	C0
maximum rpm:	6000 RPM
operating temperature range:	-40 to +210 ° F
series:	62
dynamic load capacity:	33.2 kN
d_1	49.56 mm
D_2	69.2 mm
$r_{1,2}$ min.	1.5 mm
d_a min.	44 mm
d_a max.	49.5 mm
D_a max.	71 mm
r_a max.	1.5 mm
Basic dynamic load rating C	33.2 kN
Basic static load rating C_0	19 kN
Fatigue load limit P_u	0.815 kN
Calculation factor k_r	0.03
Calculation factor f_0	13.1
Mass bearing	0.68 kg