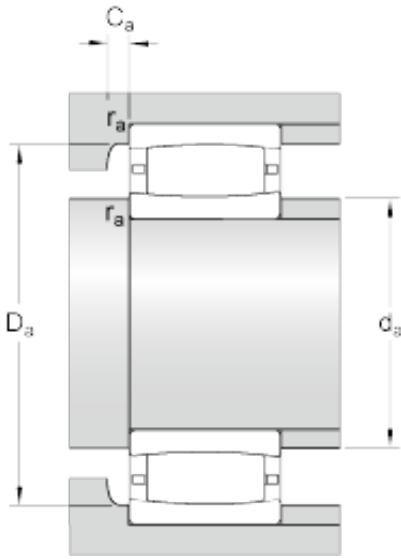




BEARING CORP.OF AMERICA



C 3092 M Bearing 2D drawings and 3D CAD models

460 mm x 680 mm x 163 mm skf C 3092 M
CARB toroidal roller bearings

Bearing No. C 3092 M

d	460 mm
D	680 mm
B	163 mm
d ₂	539 mm
D ₁	624 mm
s ₁ max.	33.5 mm
r _{1,2} min.	6 mm
d _a min.	483 mm
d _a max.	570 mm
D _a min.	604 mm
D _a max.	657 mm
C _a min.	2.3 mm
r _a max.	5 mm
Basic dynamic load rating C	4000 kN
Basic static load rating C ₀	7500 kN
Fatigue load limit P _u	520 kN
Reference speed	700 r/min
Limiting speed	950 r/min
Misalignment factor k ₁	0.114
Operating clearance factor k ₂	0.108
Mass bearing	205 kg