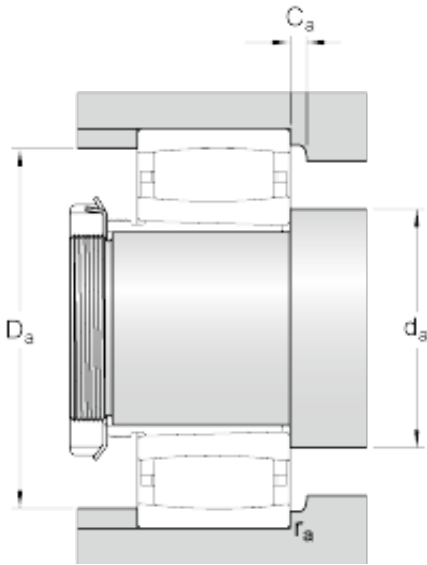




# BEARING CORP.OF AMERICA

## skf C 2319 K + AHX 2319 CARB toroidal roller bearings

Bearing No. C 2319 K + AHX 2319



C 2319 K + AHX 2319 Bearing 2D drawings and 3D CAD models

$d_1$	90 mm
D	200 mm
B	67 mm
$B_1$	85 mm
$d_2$	119 mm
$D_1$	166 mm
$B_2$	89 mm
G	M 105x2
$G_1$	16 mm
$s_1$ max.	12.6 mm
$r_{1,2}$ min.	3 mm
$d_a$ min.	102 mm
$d_a$ max.	138 mm
$D_a$ min.	154 mm
$D_a$ max.	186 mm
$C_a$ min.	2.1 mm
$r_a$ max.	2.5 mm
Basic dynamic load rating C	610 kN
Basic static load rating $C_0$	695 kN
Fatigue load limit $P_u$	73.5 kN
Reference speed	2800 r/min
Limiting speed	4000 r/min
Misalignment factor $k_1$	0.103
Operating clearance factor $k_2$	0.106
Mass bearing + sleeve	11 kg



# BEARING CORP.OF AMERICA