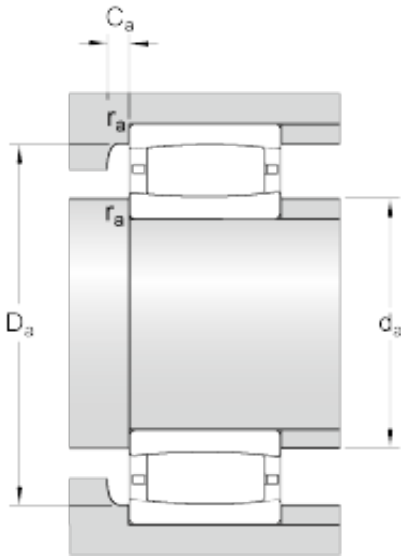




BEARING CORP.OF AMERICA



500 mm x 830 mm x 264 mm skf C 31/500 M
CARB toroidal roller bearings

Bearing No. C 31/500 M

C 31/500 M Bearing 2D drawings and 3D CAD models

d	500 mm
D	830 mm
B	264 mm
d ₂	605 mm
D ₁	738 mm
s ₁ max.	75.3 mm
r _{1,2} min.	7.5 mm
d _a min.	532 mm
d _a max.	654 mm
D _a min.	706 mm
D _a max.	798 mm
C _a min.	-11.7 mm
r _a max.	6 mm
Basic dynamic load rating C	7500 kN
Basic static load rating C ₀	12700 kN
Fatigue load limit P _u	850 kN
Reference speed	530 r/min
Limiting speed	750 r/min
Misalignment factor k ₁	0.099
Operating clearance factor k ₂	0.116
Mass bearing	560 kg