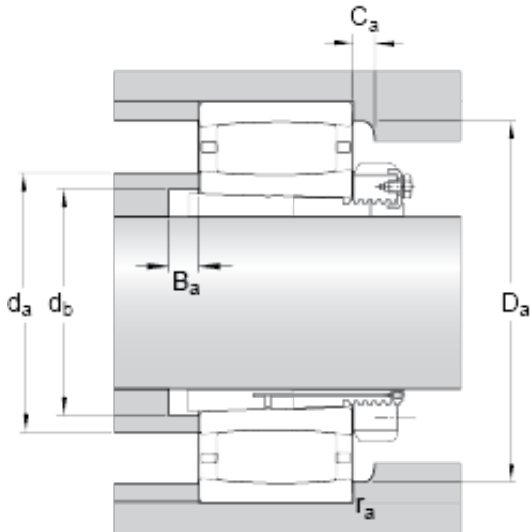




# BEARING CORP.OF AMERICA

## skf C 3192 KM + OH 3192 H CARB toroidal roller bearings

Bearing No. C 3192 KM + OH 3192 H



C 3192 KM + OH 3192 H Bearing 2D drawings and 3D CAD models

$d_1$	430 mm
D	760 mm
B	240 mm
$B_1$	326 mm
$d_2$	559 mm
$d_3$	580 mm
$D_1$	679 mm
$B_2$	75 mm
$B_5$	95 mm
$s_1$ max.	51 mm
$r_{1,2}$ min.	7.5 mm
$d_a$ max.	603 mm
$d_b$ min.	484 mm
$D_a$ min.	651 mm
$D_a$ max.	728 mm
$B_a$ min.	17 mm
$C_a$ min.	4.2 mm
$r_a$ max.	6 mm
Basic dynamic load rating C	6800 kN
Basic static load rating $C_0$	12000 kN
Fatigue load limit $P_u$	815 kN
Reference speed	600 r/min
Limiting speed	800 r/min
Misalignment factor $k_1$	0.108
Operating clearance factor $k_2$	0.105



# BEARING CORP.OF AMERICA

Mass bearing + sleeve
-----------------------

540 kg
--------