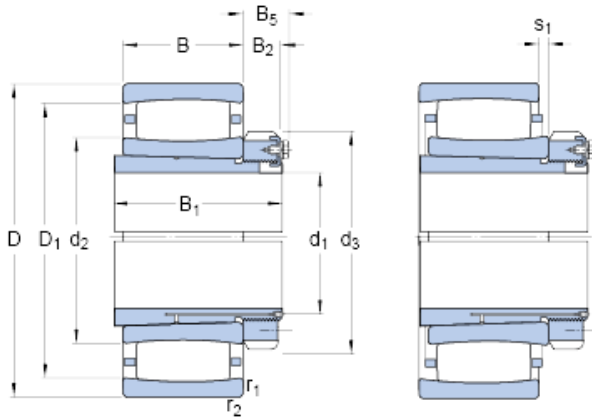




BEARING CORP.OF AMERICA



skf C 3080 KM + OH 3080 H CARB toroidal roller bearings

Bearing No. C 3080 KM + OH 3080 H

C 3080 KM + OH 3080 H Bearing 2D drawings and 3D CAD models

Size	600x380x210 mm
Bore Diameter	600 mm
Outer Diameter	380 mm
Width	210 mm
d_1	380 mm
D	600 mm
B_1	210 mm
d_2	457 mm
d_3	470 mm
D_1	554 mm
B	148 mm
B_2	52 mm
B_5	66 mm
s_1	30.6 mm
$r_{1,2}$ - min.	5 mm
d_a - max.	486 mm
d_b - min.	417 mm
D_a - min.	523 mm
D_a - max.	582 mm
B_a - min.	15 mm
C_a - min.	2.1 mm
r_a - max.	4 mm
Basic dynamic load rating - C	3650 kN



BEARING CORP.OF AMERICA

Basic static load rating - C_0	6200 kN
Fatigue load limit - P_u	450 kN
Reference speed	800 r/min
Limiting speed	1100 r/min
Factor - k_1	0.121
Factor - k_2	0.099
d_1	380 mm
B_1	210 mm
d_2	457 mm
d_3	470 mm
D_1	554 mm
B_2	52 mm
B_5	66 mm
s_1 max.	30.6 mm
$r_{1,2}$ min.	5 mm
d_a max.	486 mm
d_b min.	417 mm
D_a min.	523 mm
D_a max.	582 mm
B_a min.	15 mm
C_a min.	2.1 mm
r_a max.	4 mm
Basic dynamic load rating C	3650 kN
Basic static load rating C_0	6200 kN
Fatigue load limit P_u	450 kN
Misalignment factor k_1	0.121
Operating clearance factor k_2	0.099
Mass bearing + sleeve	175 kg