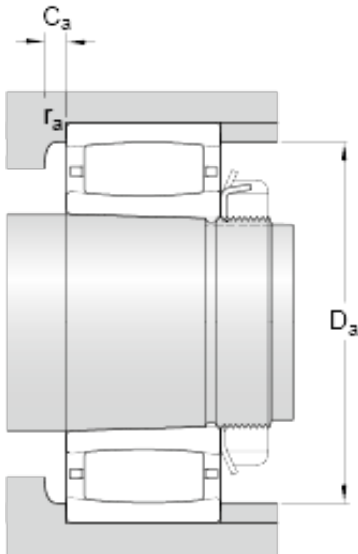




BEARING CORP.OF AMERICA



340 mm x 520 mm x 133 mm skf C 3068 KM
CARB toroidal roller bearings

Bearing No. C 3068 KM

C 3068 KM Bearing 2D drawings and 3D CAD models

d	340 mm
D	520 mm
B	133 mm
d ₂	394 mm
D ₁	475 mm
s ₁ max.	25 mm
r _{1,2} min.	5 mm
D _a min.	454 mm
D _a max.	502 mm
C _a min.	2.1 mm
r _a max.	4 mm
Basic dynamic load rating C	2900 kN
Basic static load rating C ₀	5000 kN
Fatigue load limit P _u	375 kN
Reference speed	950 r/min
Limiting speed	1300 r/min
Misalignment factor k ₁	0.12
Operating clearance factor k ₂	0.099
Mass bearing	98.2 kg