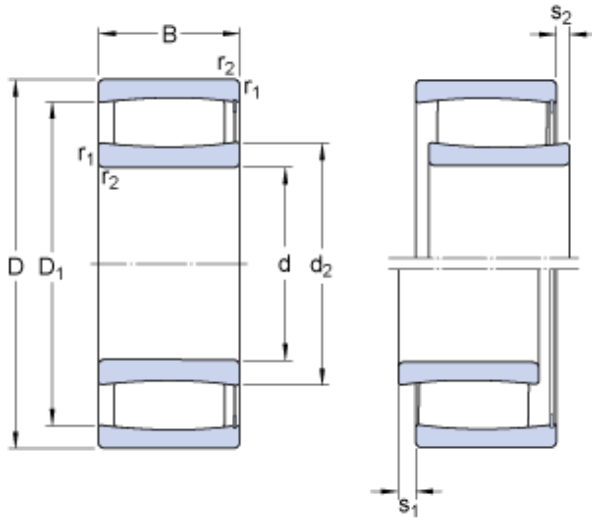




# BEARING CORP.OF AMERICA



45 mm x 85 mm x 23 mm skf C 2209 V CARB  
toroidal roller bearings

Bearing No. C 2209 V

C 2209 V Bearing 2D drawings and 3D CAD models

Size	85x45x23 mm
Bore Diameter	85 mm
Outer Diameter	45 mm
Width	23 mm
d	45 mm
D	85 mm
B	23 mm
d <sub>2</sub>	55.6 mm
D <sub>1</sub>	73.1 mm
s <sub>1</sub>	7.1 mm
s <sub>2</sub>	4.1 mm
r <sub>1,2</sub> - min.	1.1 mm
d <sub>a</sub> - min.	52 mm
d <sub>a</sub> - max.	69 mm
D <sub>a</sub> - max.	78 mm
r <sub>a</sub> - max.	1 mm
Basic dynamic load rating - C	106 kN
Basic static load rating - C <sub>0</sub>	110 kN
Fatigue load limit - P <sub>u</sub>	12.9 kN
Limiting speed	4300 r/min
Factor - k <sub>1</sub>	0.095
Factor - k <sub>2</sub>	0.128
Category	Bearings



## BEARING CORP.OF AMERICA

Inventory	0.0
Manufacturer Name	SKF
Minimum Buy Quantity	N/A
Weight / Kilogram	0
Product Group	B04144
$d_2$	55.6 mm
$D_1$	73.1 mm
$s_1$ max.	7.1 mm
$s_2$ max.	4.1 mm
$r_{1,2}$ min.	1.1 mm
$d_a$ min.	52 mm
$d_a$ max.	69 mm
$D_a$ max.	78 mm
$r_a$ max.	1 mm
Basic dynamic load rating C	106 kN
Basic static load rating $C_0$	110 kN
Fatigue load limit $P_u$	12.9 kN
Misalignment factor $k_1$	0.095
Operating clearance factor $k_2$	0.128
Mass bearing	0.58 kg