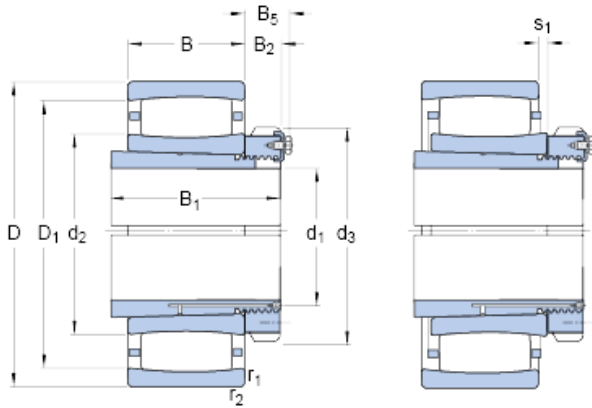




# BEARING CORP.OF AMERICA



skf C 39/500 KM + OH 39/500 HE CARB  
toroidal roller bearings

Bearing No. C 39/500 KM + OH 39/500 HE

C 39/500 KM + OH 39/500 HE Bearing 2D drawings  
and 3D CAD models

Size	670x470x208 mm
Bore Diameter	670 mm
Outer Diameter	470 mm
Width	208 mm
$d_1$	470 mm
D	670 mm
$B_1$	208 mm
$d_2$	555 mm
$d_3$	580 mm
$D_1$	632 mm
B	128 mm
$B_2$	68 mm
$B_5$	85 mm
$s_1$	20.4 mm
$r_{1,2}$ - min.	5 mm
$d_a$ - max.	580 mm
$d_b$ - min.	516 mm
$D_a$ - min.	614 mm
$D_a$ - max.	652 mm
$B_a$ - min.	18 mm
$C_a$ - min.	2 mm
$r_a$ - max.	4 mm
Basic dynamic load rating - C	3150 kN



## BEARING CORP.OF AMERICA

Basic static load rating - $C_0$	6300 kN
Fatigue load limit - $P_u$	430 kN
Reference speed	700 r/min
Limiting speed	950 r/min
Factor - $k_1$	0.135
Factor - $k_2$	0.095
$d_1$	470 mm
$B_1$	208 mm
$d_2$	555 mm
$d_3$	580 mm
$D_1$	632 mm
$B_2$	68 mm
$B_5$	85 mm
$s_1$ max.	20.4 mm
$r_{1,2}$ min.	5 mm
$d_a$ max.	580 mm
$d_b$ min.	516 mm
$D_a$ min.	614 mm
$D_a$ max.	652 mm
$B_a$ min.	18 mm
$C_a$ min.	2 mm
$r_a$ max.	4 mm
Basic dynamic load rating C	3150 kN
Basic static load rating $C_0$	6300 kN
Fatigue load limit $P_u$	430 kN
Misalignment factor $k_1$	0.135
Operating clearance factor $k_2$	0.095
Mass bearing + sleeve	195 kg