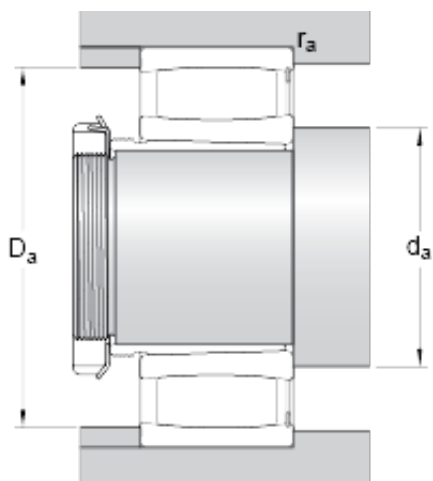




# BEARING CORP.OF AMERICA



## skf C 4024 K30V/VE240 + AH 24024 CARB toroidal roller bearings

Bearing No. C 4024 K30V/VE240 + AH 24024

C 4024 K30V/VE240 + AH 24024 Bearing 2D drawings  
and 3D CAD models

$d_1$	115 mm
D	180 mm
B	60 mm
$B_1$	73 mm
$d_2$	139 mm
$D_1$	164 mm
$B_2$	82 mm
G	M 125x2
$G_1$	13 mm
$s_1$ max.	17.8 mm
$s_2$ max.	17.8 mm
$r_{1,2}$ min.	2 mm
$d_a$ min.	124.6 mm
$d_a$ max.	152 mm
$D_a$ max.	170 mm
$r_a$ max.	2 mm
Basic dynamic load rating C	430 kN
Basic static load rating $C_0$	640 kN
Fatigue load limit $P_u$	65.5 kN
Limiting speed	1400 r/min
Misalignment factor $k_1$	0.085
Operating clearance factor $k_2$	0.142
Mass bearing + sleeve	5.65 kg