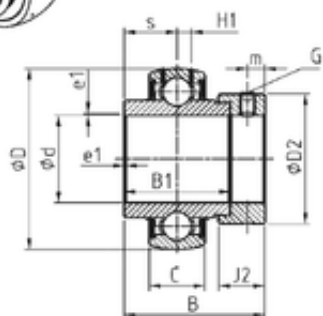




# BEARING CORP.OF AMERICA



17 mm x 47 mm x 43,5 mm SNR EX203G2  
Bearing units, Insert bearings

Bearing No. EX203G2

Size	17x47x43.5 mm
Bore Diameter	17 mm
Outer Diameter	47 mm
Width	43,5 mm
d	17 mm
D	47 mm
B	43,5 mm
B1	34 mm
C	16 mm
e	0,6 mm
a	3 mm
m	5 mm
s	17 mm
D2	33,3 mm
H1	4,4 mm
Thread (G)	M6x1
J2	13,5 mm
Weight	0,25 Kg
Basic dynamic load rating (C)	12,8 kN
B2	13.5 mm
C1	4.4 mm
d1	32.4 mm
G	M6x1
r	0.6
S	17 mm

EX203G2 Bearing 2D drawings and 3D CAD models



## BEARING CORP.OF AMERICA

SW	3 mm
C0	6.65 kN
T min.	-20 ° C
T max.	100 ° C
Recommended tightening torque for set screw	5.5 Nm