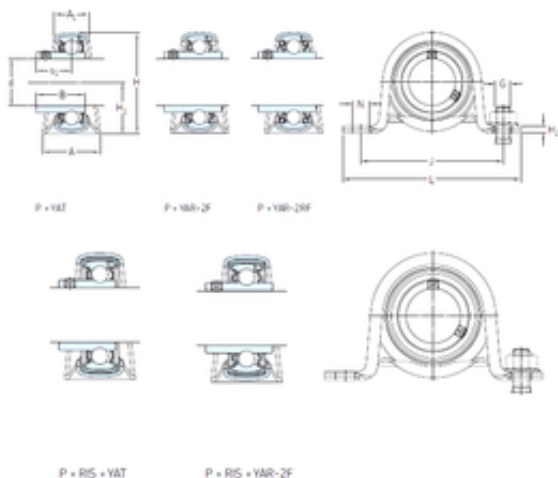




BEARING CORP.OF AMERICA

skf P 47 R-15 FM Ball bearing plummer block units

Bearing No. P 47 R-15 FM



P 47 R-15 FM Bearing 2D drawings and 3D CAD models

Bore Diameter	15 mm
d	15 mm
s ₁	22,1 mm
A	32 mm
A ₁	21 mm
B ₁	28,6 mm
G	8 mm
H	50 mm
H ₁	25,2 mm
H ₂	3 mm
J	76 mm
L	99 mm
N	9,6 mm
Weight	0,23 Kg
Basic dynamic load rating (C)	9,56 kN
Basic static load rating (C ₀)	4,75 kN
Housing material	Pressed steel
A ₁	21 mm
B ₁	28.6 mm
H ₁	25.3 mm
H ₂	3 mm
s ₁	22.6 mm
Basic dynamic load rating C	9.56 kN
Basic static load rating C ₀	4.75 kN
Fatigue load limit P _u	0.2 kN



BEARING CORP.OF AMERICA

Permissible radial housing load max.	1.7 kN
Limiting speed	9500 r/min
Mass bearing unit	0.22 kg
Thread grub screw G ₂	M6x0.75
Hexagonal key size for grub screw N	3 mm
Recommended tightening torque for grub screw	4 N · m
Recommended diameter for attachment bolts, mm G	8 mm
Recommended diameter for attachment bolts, inch G	0.3125 in