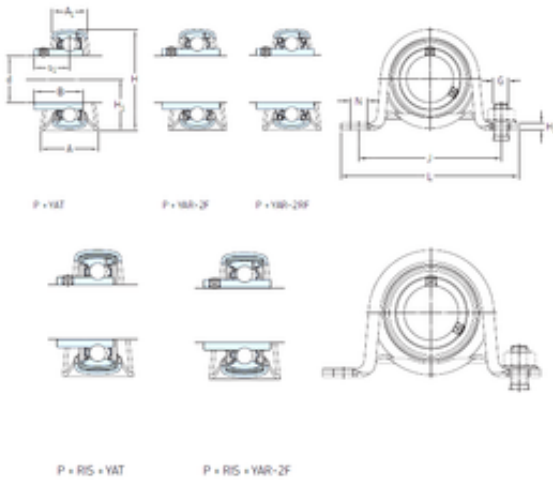




BEARING CORP.OF AMERICA



skf P 1.1/4 TF Ball bearing plummer block units

Bearing No. P 1.1/4 TF

P 1.1/4 TF Bearing 2D drawings and 3D CAD models

Bore Diameter	31.75 mm
d	31.75 mm
s ₁	25,4 mm
A	41 mm
A ₁	27 mm
B	42,9 mm
G	10 mm
H	78 mm
H ₁	39,2 mm
H ₂	5 mm
J	106 mm
L	130 mm
N	11,2 mm
Weight	0,73 Kg
Basic dynamic load rating (C)	25,5 kN
Basic static load rating (C ₀)	15,3 kN
Housing material	Pressed steel
A ₁	27 mm
B ₄	6 mm
H ₁	39.3 mm
H ₂	5 mm
s ₁	25.4 mm
Basic dynamic load rating C	25.5 kN
Basic static load rating C ₀	15.3 kN
Fatigue load limit P _u	0.655 kN



BEARING CORP.OF AMERICA

Permissible radial housing load max.	3.3 kN
Limiting speed	5300 r/min
Mass bearing unit	0.79 kg
Thread grub screw G ₂	5/16-24 UNF
Hexagonal key size for grub screw N	3.969 mm
Recommended tightening torque for grub screw	6.5 N · m
Recommended diameter for attachment bolts, mm G	10 mm
Recommended diameter for attachment bolts, inch G	0.375 in