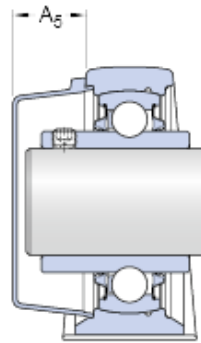
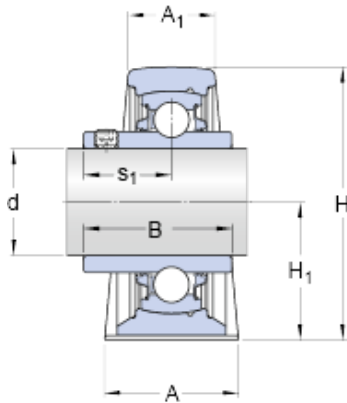




BEARING CORP.OF AMERICA



skf SY 35 TDW Ball bearing plummer block units

Bearing No. SY 35 TDW

SY 35 TDW Bearing 2D drawings and 3D CAD models

Size	35x45x27 mm
Bore Diameter	35 mm
Outer Diameter	45 mm
Width	27 mm
d	35 mm
A	45 mm
A ₁	27 mm
A ₅	22 mm
B	42.9 mm
H	93 mm
H ₁	47.6 mm
H ₂	19 mm
J	126 mm
J - max.	133 mm
J - min.	119 mm
L	160 mm
H	21 mm
N ₁	14 mm
s ₁	25.4 mm
J ₆	146 mm
J ₇	15.5 mm
N ₄	4 mm
Basic dynamic load rating - C	25.5 kN



BEARING CORP.OF AMERICA

Basic static load rating - C_0	15.3 kN
Fatigue load limit - P_u	0.655 kN
Limiting speed	1100 r/min
Weight	1.5 kg
Hexagonal key size for grub screw - H	3 mm
Housing material	Cast iron
A_1	27 mm
A_5	22 mm
B_4	6 mm
H_1	47.6 mm
H_2	19 mm
J max.	133 mm
J min.	119 mm
N	21 mm
N_1	14 mm
s_1	25.4 mm
J_6	146 mm
J_7	15.5 mm
N_4	4 mm
Basic dynamic load rating C	25.5 kN
Basic static load rating C_0	15.3 kN
Fatigue load limit P_u	0.655 kN
Mass bearing unit	1.5 kg
Thread grub screw G_2	M6x0.75
Hexagonal key size for grub screw N	3 mm
Recommended tightening torque for grub screw	4 N · m
Recommended diameter for attachment bolts, mm G	12 mm
Recommended diameter for attachment bolts, inch G	0.5 in



BEARING CORP.OF AMERICA

Housing

SY 507 M/VZ033