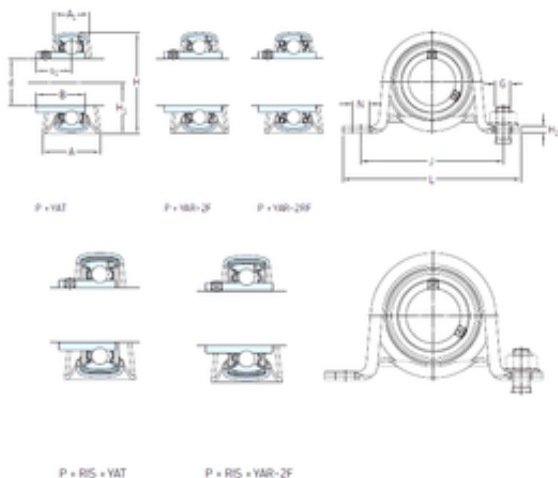




# BEARING CORP.OF AMERICA



skf P 85 R-1.1/2 TF Ball bearing plummer block units

Bearing No. P 85 R-1.1/2 TF

Bore Diameter	38,1 mm
d	38,1 mm
s <sub>1</sub>	30,2 mm
A	45 mm
A <sub>1</sub>	31 mm
B	49,2 mm
G	12 mm
H	92 mm
H <sub>1</sub>	46,4 mm
H <sub>2</sub>	6 mm
J	128 mm
L	156 mm
N	14 mm
Weight	1,1 Kg
Basic dynamic load rating (C)	30,7 kN
Basic static load rating (C <sub>0</sub> )	19 kN
Housing material	Pressed steel
A <sub>1</sub>	31 mm
B <sub>4</sub>	8 mm
H <sub>1</sub>	46.5 mm
H <sub>2</sub>	6 mm
s <sub>1</sub>	30.2 mm
Basic dynamic load rating C	30.7 kN
Basic static load rating C <sub>0</sub>	19 kN
Fatigue load limit P <sub>u</sub>	0.8 kN

P 85 R-1.1/2 TF Bearing 2D drawings and 3D CAD models



## BEARING CORP.OF AMERICA

Permissible radial housing load max.	4.2 kN
Limiting speed	4800 r/min
Mass bearing unit	1.05 kg
Thread grub screw G <sub>2</sub>	5/16-24 UNF
Hexagonal key size for grub screw N	3.969 mm
Recommended tightening torque for grub screw	6.5 N · m
Recommended diameter for attachment bolts, mm G	12 mm
Recommended diameter for attachment bolts, inch G	0.5 in
Housing	P 85
Bearing	YAR 208-108-2F
Rubber seating ring	RIS 208 A